

Specification for Horn Speaker		Page	2/8
		Revision No.	1.6
Model No.	SH-8080AF20R4C	Drawing No.	KFC3133

## CONTENTS

1. Scope
2. General
3. Electrical and Acoustic Characteristics.
4. Reliability Test
5. Measurement Block Diagram & Response curve
6. Dimensions
7. Packing
8. Revision

Specification for Horn Speaker		Page	3/8
		Revision No.	1.6
Model No.	SH-8080AF20R4C	Drawing No.	KFC3133

## 1. Scope

This specification is applied to the Siren used for sounder in alarm systems. Please contact us when using this product for any other applications than described in the above.

## 2. General

- 2.1 Out-Diameter : 80 mm
- 2.2 Height : 52.5 mm
- 2.3 Length : 80\*80 mm
- 2.4 Weight : 425 g ±10g
- 2.5 Operating Temperature range:  
-25~+60 °C without loss of function
- 2.6 Store Temperature range:  
-25 ~+60 °C without loss of function

## 3. Electrical and Acoustic Characteristics.

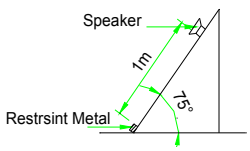
Test condition : 15 ~ 35 °C, 25% ~ 85% RH, 860~1060 mbar

No	Items	Specification
1	Impedance	4 Ω ± 20%
2	Sound Pressure Level	≥105 dB at 1W 1M 2k-3.0k
3	Resonance Frequency	2000 Hz ± 20%
4	Frequency Range	FO ~4KHz
5	Input Power	Rated 15 W / Max. 20 W
6	Magnet size	Φ70*32*8 mm(Dia.*dia.*H)
7	Buzz and Rattle	Should not be audible buzzes,rattles when the 7.75V sine wave signal swept at frequency range.
8	Polarity	When supplied plus D.C. voltage to (+) Left line, the diaphragm must move to forward.
9	Case Material/Color	ABS/BLACK

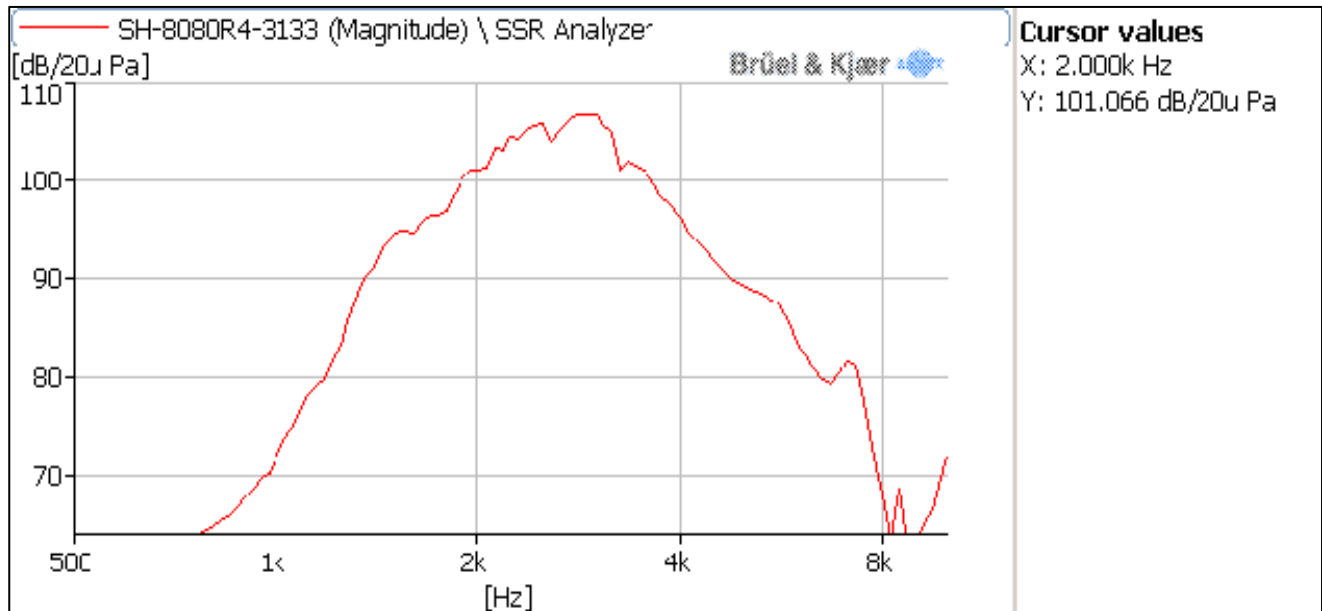
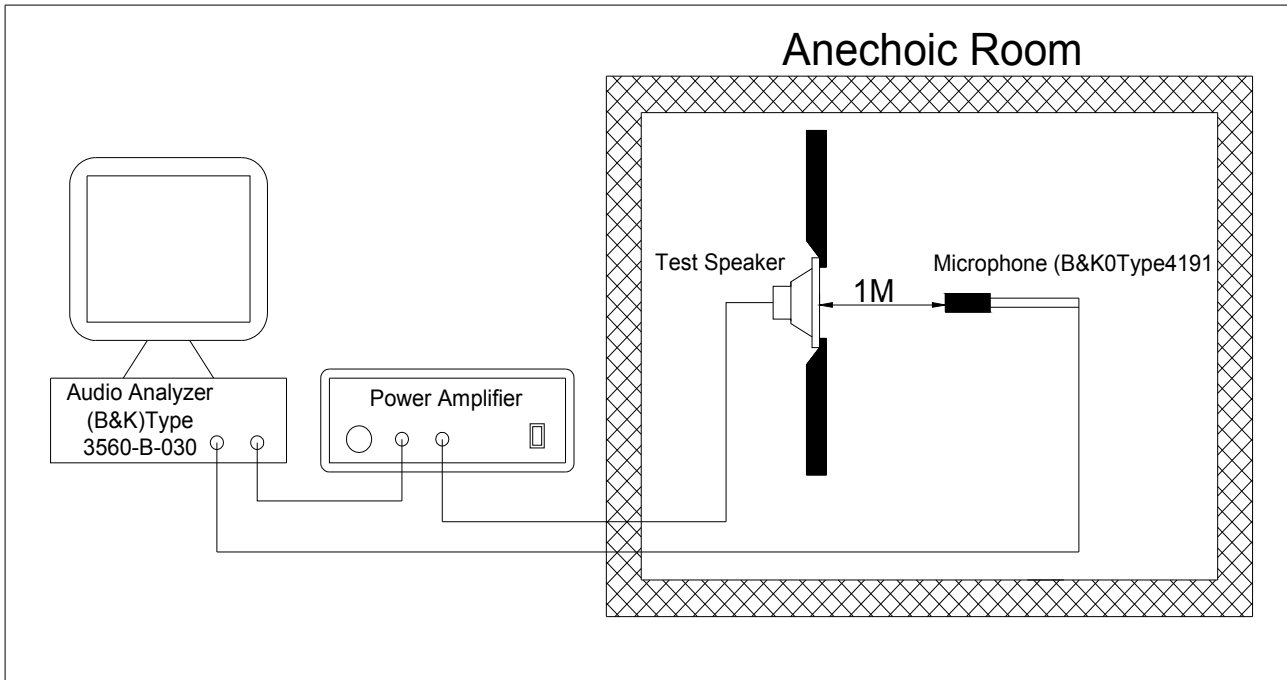
Specification for Horn Speaker		Page	4/8
		Revision No.	1.6
Model No.	SH-8080AF20R4C	Drawing No.	KFC3133

#### 4. Reliability Test

After test(1~6item), the Electronic Siren S.P.L . difference shall be within  $\pm 10\text{dB}$ , and the appearance not exist any change to be harmful to normal operation(e.g.cracks,rusts,damages and especially distortion).

No	Items	Specification
1	High Temperature Test	After being worked in a chamber with $+60\pm 2\text{ }^\circ\text{C}$ for 2h and then being placed in natural condition for 2h, sounder shall be measured.
2	Low Temperature Test	First being worked in a chamber with $-25\pm 2\text{ }^\circ\text{C}$ for 2h and then being placed in a chamber with $-25\pm 2\text{ }^\circ\text{C}$ for 16h, finally being placed in natural condition for 2h, sounder shall be measured.
3	Humidity Test	After being placed in a chamber with 90 to 95%R.H. at $+40\pm 2\text{ }^\circ\text{C}$ for 2 h and then being placed in natural condition for 2h , sounder shall be measured.
4	Shock Test	Under acceleration of peak $100\text{m/s}^2(10\text{g})$ & half sine wave pulse (pulse time is 16ms)condition.run into product 1000 times continuously.
5	Vibration Test	Horn shall be measured after being applied vibration of amplitude of 1.5mm with 10to 30Hz band of vibration frequency to each of 3 perpendicular directions for 2 hour.
6	Drop Test	<p>A speaker is dropped from 1m in length on <math>75^\circ</math> inclination and a magnetic circuit of speaker is hitte to the restraint metal.</p> <p>After the test, magnetic circuit should not drop out and speakr should be measured.</p> 
7	Load test	After being applied loading white noise with input power $15\text{W}(7.75\text{Vrms.})$ for 48 hours, then placed in natural condition for 1 hour, speaker shall be measured.

### 5. Measurement Block Diagram & Response curve



# Specification for Horn Speaker

Page

6/8

Revision No.

1.6

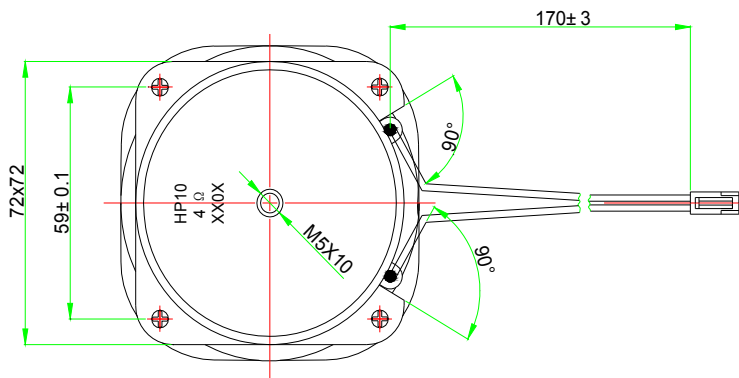
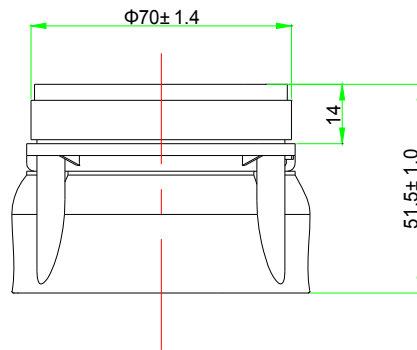
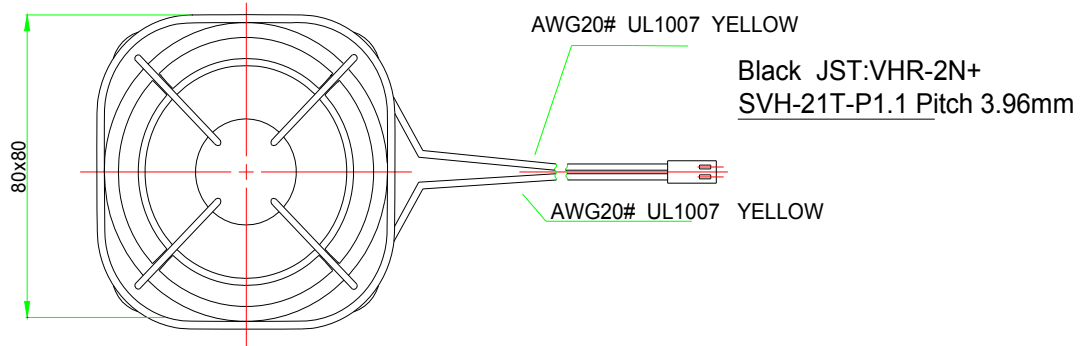
Model No.

SH-8080AF20R4C

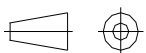
Drawing No.

KFC3133

## 6. Dimensions



FIRST ANGLE PROJECTION



备注：根据客户要求进行丝印。  
使用标准螺丝为M5X10.

UNIT : mm

Tolerance :  $\pm 0.5$

# Specification for Horn Speaker

Page

7/8

Model No.

SH-8080AF20R4C

Revision No.

1.6

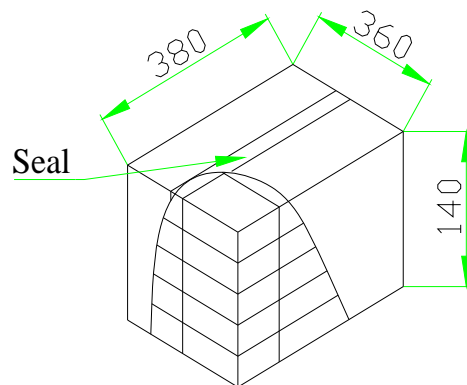
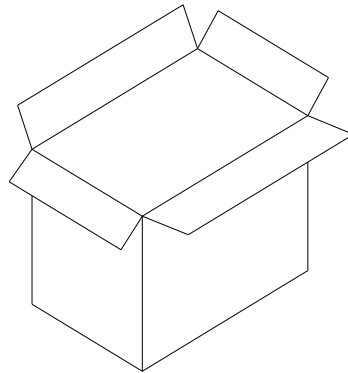
Drawing No.

KFC3133

## 7. Packing

Each minimum package unit of products shall be in a carton box and it shall be clearly marked with Part Number ,quantity and outgoing inspection number.

There shall be no mechanical damage on products during transportation and/or in storage.



QTY: 24Pcs

380x360 x140

